

1300 733 853



Gold Complete Whole House Filtration System

Our state-of-the-art GOLD Whole House Filtration System is designed to provide you and your family with clean and safe water throughout your home. Our system utilises a comprehensive 3-stage process to ensure the removal of unwanted impurities, chemicals, and contaminants, resulting in refreshing, healthy water for all your needs including your showers, tapware and appliances .



STAGE 1
Gold Sediment Filter

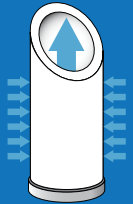
STAGE 2
Activated Gold Carbon Filter

STAGE 3
Gold Aragon Filter

FREE INSTALLATION*

Gold Whole House Filtration System

STAGE 1: SEDIMENT FILTRATION

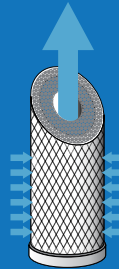


Is dedicated to removing sediment, and particles from the water supply. This stage effectively eliminates dirt, sand, rust, algae and many other debris, preventing clogging and prolonging the lifespan of the subsequent filters.

REMOVES

- Sediment
- Dust
- Dirt
- Rust
- Sand
- Silt
- Algae

STAGE 2: ACTIVATED GOLD CARBON FILTRATION

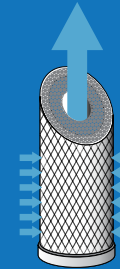


Works to remove chlorine, chloramine, volatile organic compounds (VOCs), unpleasant odours, and taste from the water. This highly efficient GOLD series filter absorbs and traps these contaminants, ensuring that the water flowing through your tapware, showers and appliances are all clean and safe.

REMOVES

- Chlorine
- Bad Taste
- Odours
- Colour
- Pesticides

STAGE 3: ARAGON GOLD FILTER

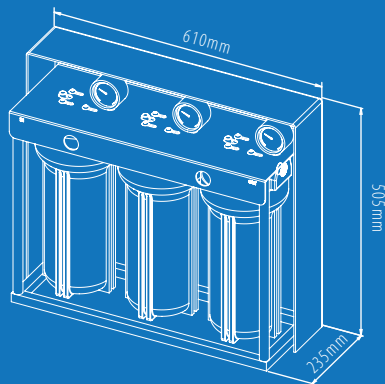


Have a filtration technology that combines mechanical filtration, adsorption filtration, ion-exchange and electric adsorption. The tested market leading GOLD Aragon cartridge have shown 100% water decontamination efficiency from viral pollution PFAS and will remove 99.9% of human pathogens.

REMOVES

- Aluminium
- Barium
- Cadmium
- Copper
- Cryptosporidium
- Giardia Cysts
- Radium
- Sodium
- Selenium
- E Coli Bacteria
- Hydrocarbons
- Iron
- Lead
- Manganese
- Mercury Nitrate
- Potassium

DIMENSIONS (CM)



Tapware



Laundry



Bathrooms/Showers